



# High Speed, Twin Tube VOLUMETRIC Form-Fill-Seal System.

The Clipper VT-510 is Woodman's twin-tube, volumetric, form-fill-seal packaging solution. This vertical system is equipped with a dual discharge for high speed output, to 150 bags per minute.

The VT-510 has the versatility to package a wide range of free-flowing products such as nutmeats, candy, popcorn, petfoods and extruded snacks.

A direct-drive, rotating head employs sixteen volumetric cylinders on twin radii (8 for each tube). Volume adjustment is accomplished by telescoping all cylinders simultaneously. This allows rapid changeover to prevent costly downtime and optimize overall production efficiency. Interchangeable cups and skirts are available for volumes up to 45 cubic inches.

The packaging material handling system of the VT-510 features two independent web spindles, each with individual photoelectric bag registration. A choice of infeed configurations and many other options allows you to customize the VT-510 to your exact requirements.

The Clipper VT-510 is truly a production "workhorse" as users around the world can attest. Its economy, simple operation, reliability and high output make it an ideal candidate for many volumetric applications.



Product is distributed into the revolving head where cups are evenly filled prior to discharge.



Separate webs on the material handling system simplify roll changeover.



Independent end seal jaws are mounted on a single carriage for high production output.

Clipper VT-510

WOODMAN®



# S P E C I F I C A T I O N S

## Performance

**Maximum Speed:**  
150 Bags per Minute

**Bag Sizes:**  
Length: 3" to 10" (76.2 to 254mm)  
Width: 2 1/2" to 5" (63.5 to 127mm)

**Bag Styles:**  
Pillow Pouch, Fin or Lap Seal

(Actual speeds are dependent upon product characteristics, bag size, packaging material, filling system throughput, etc.)

## Operating Requirements

**Electrical:**  
230 Volts AC, Single Phase, 50/60Hz, 30 Amps

**Compressed Air:**  
6.0 CFM @ 80 PSI for 150 BPM

**Temperature:**  
Nominal Ambient, 50-95° F  
(10-35° C)

**Humidity:**  
Less Than 90% Non-Condensing

**Film Core Inside Diameter:**  
3" (76.3mm)

**Maximum Film Roll Outside Diameter:**  
13" (330mm)



## SYSTEM LAYOUT

## Standard Features

- Cups and Skirts - 16 per machine
- Folded Vibratory or Bin Infeed
- Volume Adjustment Control
- Single Carriage
- Product Level Control
- Reciprocating Seam Seal Bar
- Photoelectric Bag Registration
- Solid State Temperature Controls
- Variable Speed Drive
- Dual Former Assembly
- Pneumatic Jaw Closure
- Carriage and Crank Guards
- Dual Film Supply

## Optional Features

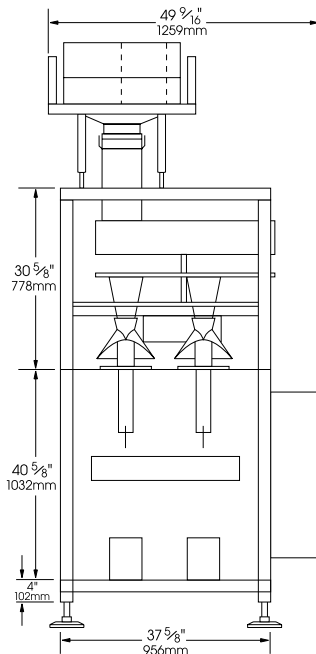
- Additional Former Assemblies
- Additional Cups and Skirts
- Code Daters - Ink or Hot Stamp
- Duplex Film Supply
- Easy-Open Attachment
- Lapse Timer with Bag Counter
- Gas Flushing
- Mechanical Hole Punch
- Humidity Control Assembly
- Non-Standard End Seal Jaws
- Perforator Assembly
- Rotary Pack-Off Table
- Transformers - Voltage Stabilizing
- USDA Approved Construction
- Inline Infeed Assembly

## THE WOODMAN COMPANY® A DIVISION OF KLIKLOK® CORPORATION

World Headquarters  
5224 Snapfinger Woods Dr.  
Decatur, Georgia 30035  
Phone: (770) 981-5200  
FAX: (770) 987-7160

UK, European Inquiries  
Western Drive  
Bristol, BS14 OAY, England  
Tel: 44-1275-836131  
FAX: 44-1275-891754

FRONT VIEW



SIDE VIEW

